

T5 ROD SERIES WITH SAFETY LEVER (HEAVY PERFORMANCE)

Material:

Parts made of sheet metal and phosphated riveted pivots
Turned parts made of phosphated steel

Handles:

Red polyurethane resistant to oils, grease and other chemical agents.

Performance:

The tool comes with an eye bolt bar and hooking bracket.

Features and applications:

The tool can be opened with only one hand, disengage the working surface (the clamping lever opens by itself) and close it again for the next operation.

The construction features and materials chosen make these tools highly resistant.

The support base is perpendicular to the force line of action.

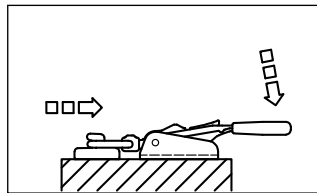
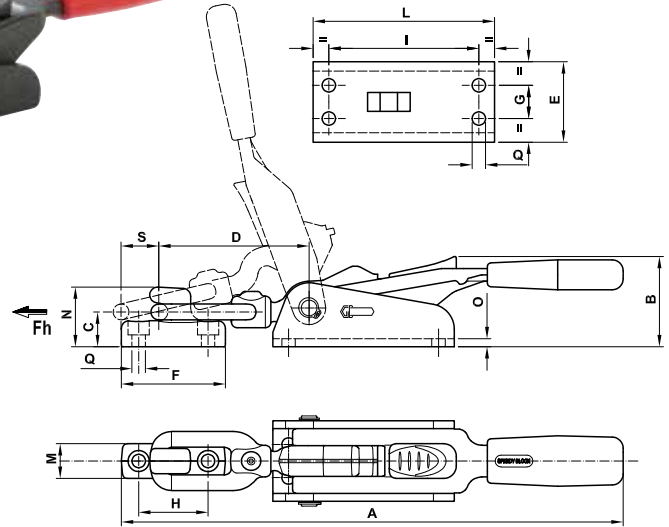
In the closed position, the control lever is parallel to the support base.

A special grease is placed between two contacting surfaces during assembly.

FORM T5



PATENTED



Code	Description	A	B	C	D	E	F	G	H	I	L	M	N	O	Q	S	Fh (daN)	gr.
AL590	1400/T5	318	57	22	95-105	51	66	21	44	95	115	22	38	5	8,5	25	1500	1600

