

## ONLY PUSH STRAIGHT-LINE ACTION SERIES

### Material:

Galvanized steel

### Riveted pivots, push bar, sliding bearing and nut:

Galvanized steel

### Handles:

Red polyurethane resistant to oils, grease and other chemical agents.

### Spindles:

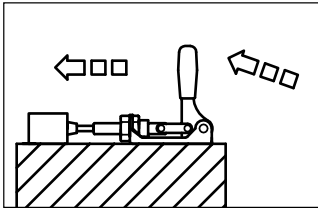
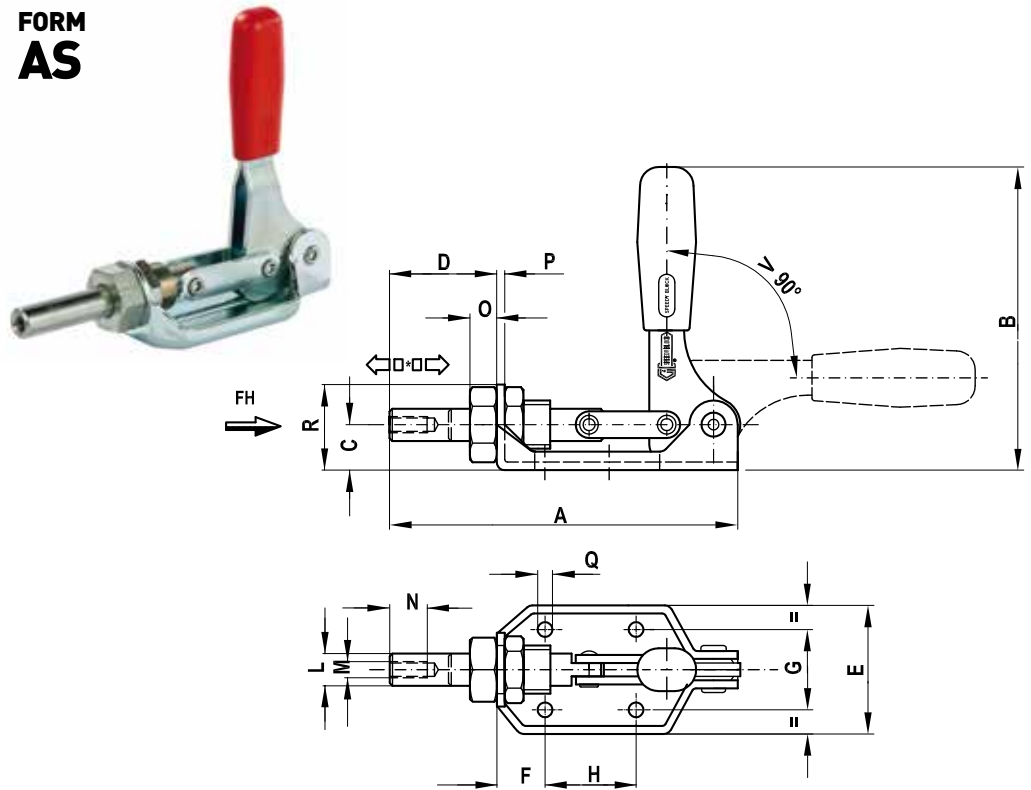
To be ordered separately (see Accessories on page 87).

### Features and applications:

The tools of this series can only be pushed.

A special grease is placed between two contacting surfaces during assembly.

## FORM AS



Code	Description	A	B	C	D	E	F	G	H	L	M	N	O	P	Q	R	*	Fh (daN)	gr. 
AG120	120/AS	130	111	17	40	48	18	30	34	12	M6	12	10	3	5,5	32	20	360	350
AG300	300/AS	167	140	20	57	58	18	34	50	14	M8	16	12	3	6,5	36	33	720	560

