

## PUSH AND PULL STRAIGHT-LINE ACTION SERIES

### Material:

Galvanized steel

### Riveted pivots, sliding push bar and bearing:

Galvanized steel

### Handles:

Red polyurethane resistant to oils, grease and other chemical agents.

### Performance:

Form ASS

- push clamping with clockwise control lever rotation

- traction clamping with anti-clockwise control lever rotation

Form ASD

- push clamping with anti-clockwise control lever rotation

- traction clamping with clockwise control lever rotation

### Spindles:

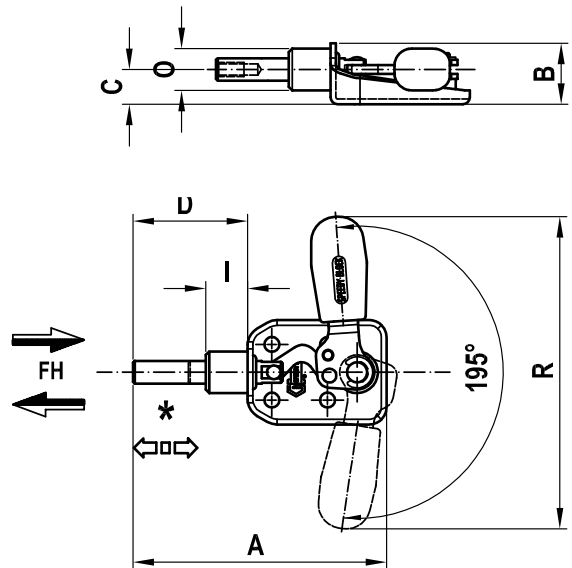
To be ordered separately (see Accessories on page 87).

### Features and applications:

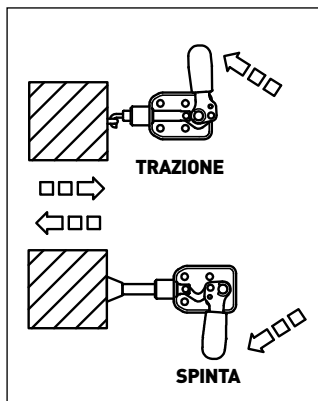
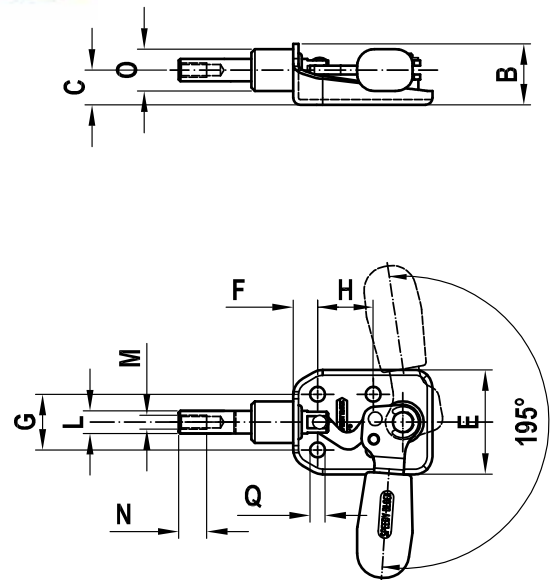
The main feature of this series is its low force application point as well as the very reduced vertical encumbrance.

A special grease is placed between two contacting surfaces during assembly.

## FORM ASD



## FORM ASS



Code	Description	A	B	C	D	E	F	G	H	I	L	M	N	O	Q	R	*	Fh (daN)	gr.
AG050	50/ASD	73	17,5	10	33	30,5	7	16	16	12	6,5	M4	9	12	4,3	90	16	80	60
AG055	50/ASS	73	17,5	10	33	30,5	7	16	16	12	6,5	M4	9	12	4,3	90	16	80	60