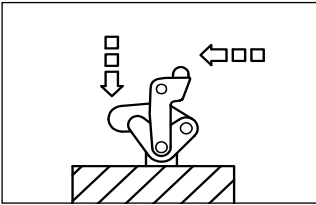
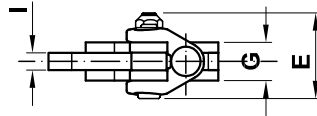
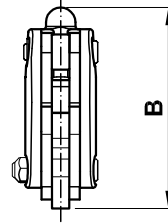
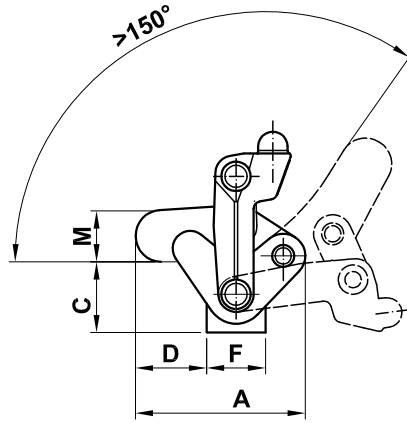


## FORM LSH



## TOGGLE MECHANISM WITH SWINGING BASE

### Material:

Phosphated steel.

**Pivots:** Hardened and ground steel.

**Supporting bushes:**

Hardened and ground steel.

**Accessories:**

To be ordered separately (see Accessories on page 26).

**Features and applications:**

The clamping and control levers are forged; for uses in medium and heavy duty clamping works, on welding jigs, carpentry works, moulds and generally when high clamping forces are needed and when there is strong repetitiveness of movements.

The design of these mechanisms is more versatile, as it is possible to weld the different parts and accessories and make up your clamp to better meet your requirements.

Code	Description	A	B	C	D	E	F	G	I	M	Fh (daN)	gr. 
AA710	LSH01	57,5	68	24	24	29	20	13	6	17,5	220	268
AA735	LSH02	85,5	113	42	32	42	30	20	10	28	440	820
AA760	LSH03	115	148	57	40,5	52	50	24	12	35	850	1600
AA785	LSH04	147,5	183	66,5	55,5	68	60	32	16	40,5	1540	3450

Per avere maggiori informazioni tecniche e scaricare i disegni tecnici in formato 2D-3D visita il sito

[www.speedyblock.com](http://www.speedyblock.com)

