

TOGGLE MECHANISMS WITH FOLDED BASE AND STRAIGHT BASE

Material:

Phosphated steel.

Pivots: Hardened and ground steel.

Supporting bushes:

Hardened and ground steel.

Accessories:

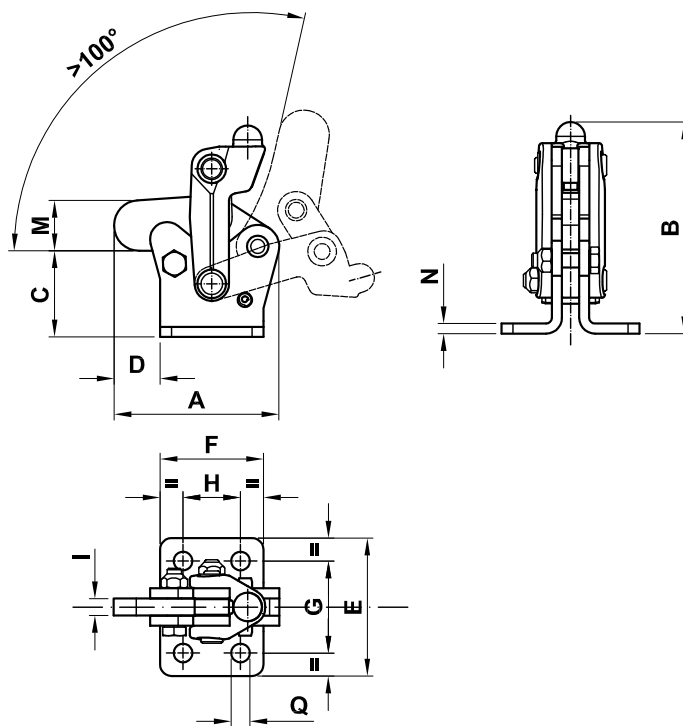
To be ordered separately (see Accessories on page 26).

Features and applications:

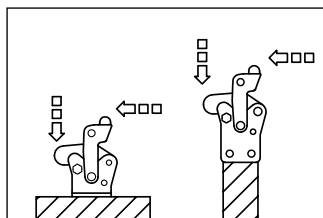
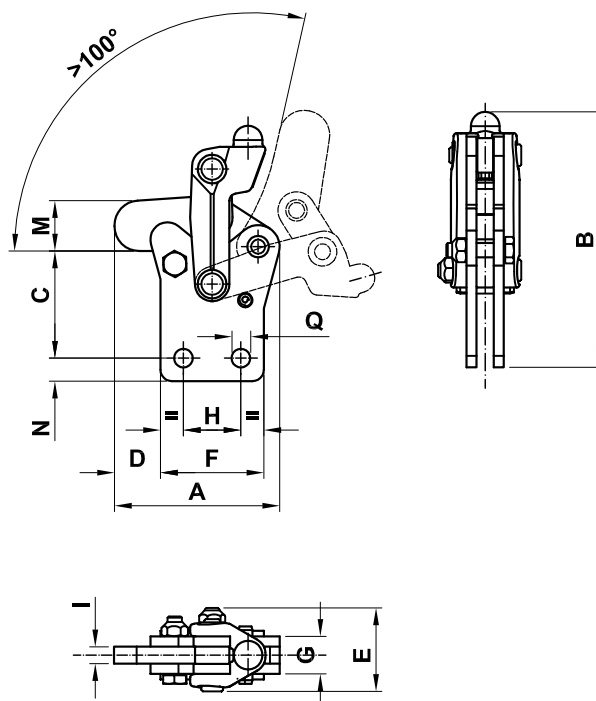
The clamping and control levers are forged; for uses in medium and heavy duty clamping works, on welding jigs, carpentry works, moulds and generally when high clamping forces are needed and when there is strong repetitiveness of movements.

The design of these mechanisms is more versatile, as it is possible to weld the different parts and accessories and make up your clamp to better meet your requirements.

FORM LSC



FORM LSG



Code	Description	A	B	C	D	E	F	G	H	I	M	N	Q	Fh (daN)	gr. ⚖️
AA700	LSC01	57,5	71	30	16	48	36	32	20	6	17,5	3,5	6,5	220	256
AA725	LSC02	85,5	121	50	20	65	54	45	30	10	28	5	8,5	440	967
AA750	LSC03	115	158	67	28	75	75	55	55	12	35	6	10,5	850	1900
AA775	LSC04	147,5	193	76,5	40,5	100	90	65	65	16	40,5	8	12,5	1540	3980

Code	Description	A	B	C	D	E	F	G	H	I	M	N	Q	Fh (daN)	gr. ⚖️
AA705	LSG01	57,5	86	37,5	16	29	36	13	20	6	17,5	8	6,5	220	256
AA730	LSG02	85,5	140,5	59,5	20	42,5	54	20	30	10	28	10	8,5	440	967
AA755	LSG03	115	180	78	28	52	75	24	55	12	35	10	10,5	850	1900
AA780	LSG04	147,5	222	88,5	40,5	68	90	32	65	16	40,5	17,5	12,5	1540	3980