

## HEAVY-DUTY VERTICAL SERIES

### Material:

Weldable phosphated steel.

### Pivots:

Hardened and ground steel.

### Supporting bushes:

Hardened and ground steel.

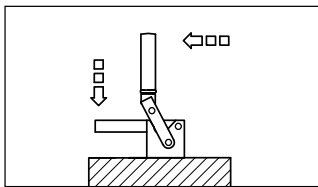
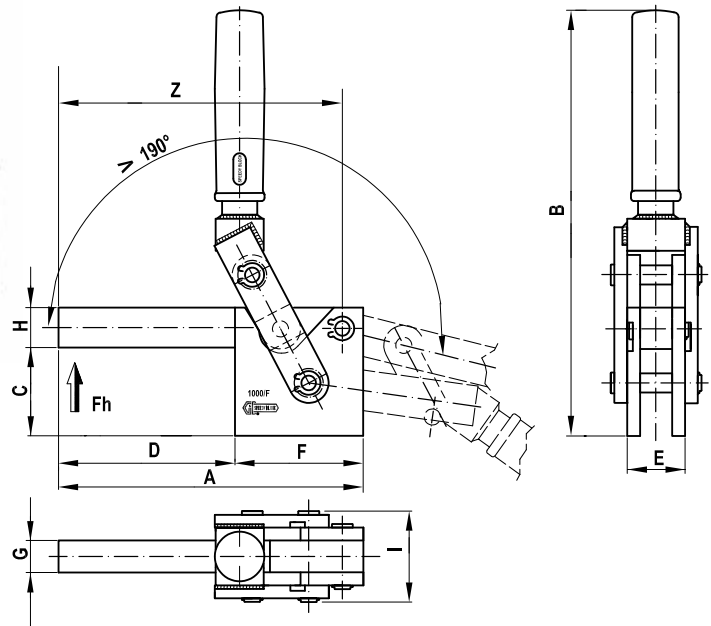
### Handles:

Red polyurethane resistant to oils, grease and other chemical agents.

### Features and applications:

Series generally used for heavy-duty applications requiring higher resistant forces. The clamps of this series are built to be easily disassembled for reworking of the individual elements depending on the requirements of use.

## FORM F



Code	Description	A	B	C	D	E	F	G	H	I	Z	Fh (daN)	gr.
AA900	1000/F	190	265	55	110	36	80	20	25	57,5	176	1000	2400
AA905	2000/F	220	295	65	120	36	100	20	35	57,5	200	2000	3600
AA910	3000/F	250	320	80	140	45	110	25	40	71	228	3000	5700

