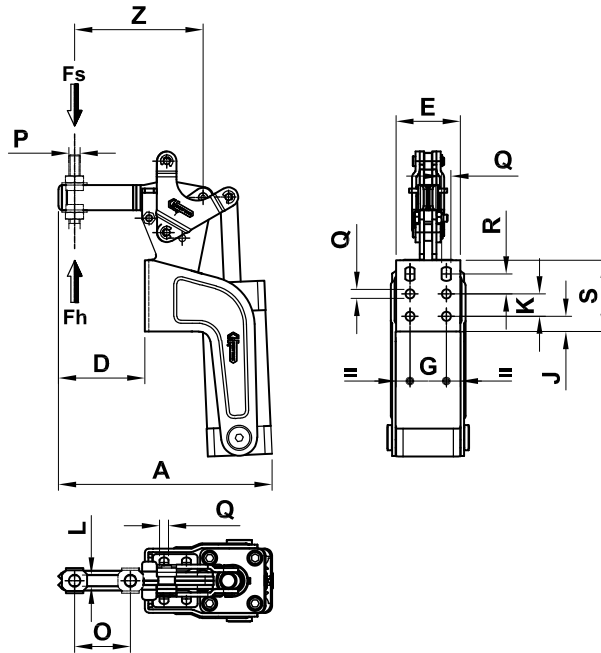
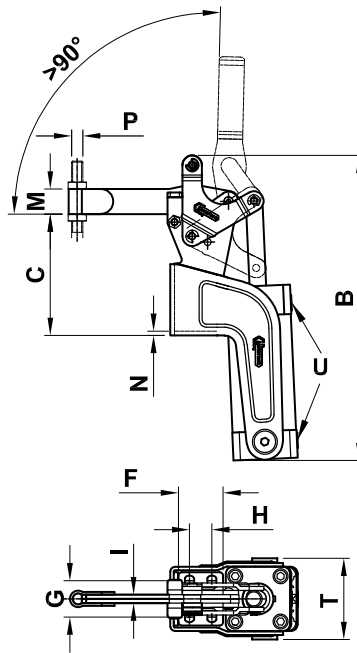


FORM APV



FORM EPV



LIGHT PNEUMATIC SERIES

This series has been completely redesigned, giving the items a greater operating life.

Material:

Sheet metal and galvanized steel riveted pivots.
Hardened and ground steel rotation pivots, running into sockets with similar feature.

Pneumatic cylinder:

All the cylinders of this series are magnetic, with a pneumatic brake inside the back head.
Maximum operating pressure 6 bar.
Maximum operating temperature 70°C.
The electronic switch for detecting the position is AU570 (see the presentation at page 87) and must be ordered separately.

Spindle:

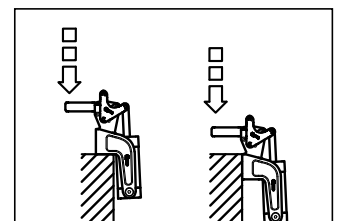
To be ordered separately (see accessories on page 87)

Feature and applications:

A filter-reducer-lubricator group is recommended for a long and smooth operation of the cylinder, while for a long duration of the mechanical components we recommend using suitable flow regulations and calibrating the speed of the motion desired.

You can find the instructions for the set-up and daily use of the items of this series on the technical sheets reported on our website.

The values of the clamping force F_s on the chart are measured at 6 bar pressure air. This pneumatically operated series can be found on p. 10.



Code	Description	A	B	C	D	E	F	G	H	I	J	K	L	M	N	O	P	Q	R	S	T	U	Z	Fh (daN)	Fs (daN)	gr.
A0404	75/APV	99	151	43	34	40	22	24	12,5		10	12,5	5,2	11	2	21	M5	4,5		30	47	M5	56,5	75	57	500
A0406	75/EPV	99	151	43	35	40	22	24	12,5	4	10	12,5		11	2		M5	4,5		30	47	M5		75	57	500
A0412	130/APV	118	167	70	41	47	28	27	12,5		16	12,5	6,2	16	2,5	28,5	M6	5,6	12,5	49	51	1/8"	72	110	61	750
A0414	130/EPV	119	167	70	42	47	28	27	12,5	5	16	12,5		16	2,5		M6	5,6	12,5	49	51	1/8"		110	61	750
A0420	230/APV	153	218	87	62	46	32	26	16		11	16	8,5	18	3	41	M8	6,5	14,25	51	58	1/8"	94,5	220	126	1250
A0422	230/EPV	155	218	87	63	46	32	26	16	6	11	16		18	3		M8	6,5	14,25	51	58	1/8"		220	126	1255
A0432	330/APV	182	263	108	68	56	45	30	28		19	30	10,5	22	3,5	45	M10	8,5	20	79	70	1/4"	110	260	180	2200
A0434	330/EPV	184	263	108	70	56	45	30	28	7	19	30		22	3,5		M10	8,5	20	79	70	1/4"		260	180	2200