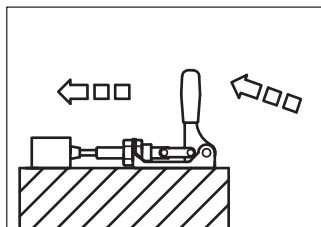
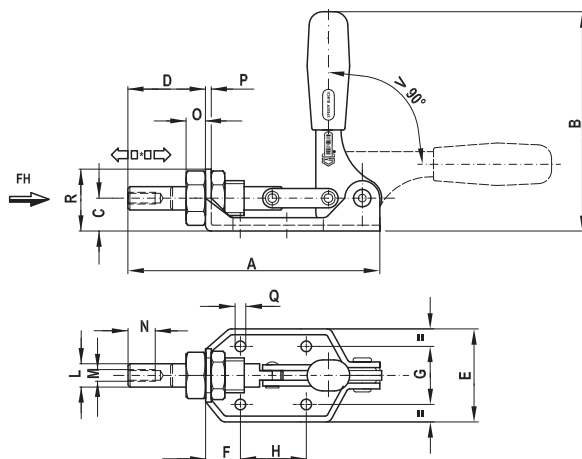


STRAIGHT-LINE ACTION SERIES

ONLY PUSH STRAIGHT-LINE ACTION SERIES

Material: Galvanized steel
Riveted pivots, push bar, sliding bearing and nut: Galvanized steel
Handles: Red polyurethane resistant to oils, grease and other chemical agents.
Spindles: To be ordered separately (see Accessories on page 76).
Features and applications: The tools of this series can only be pushed. A special grease is placed between two contacting surfaces during assembly.

FORM AS



Code	Description	A	B	C	D	E	F	G	H	L	M	N	O	P	Q	R	*	Fh (daN)	gr.
AG120	120/AS	130	111	17	40	48	18	30	34	12	M6	12	10	3	5.5	32	20	360	350
AG300	300/AS	167	140	20	57	58	18	34	50	14	M8	16	12	3	6.5	36	33	720	560

