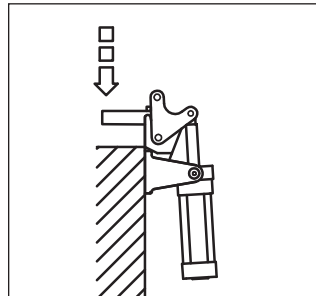
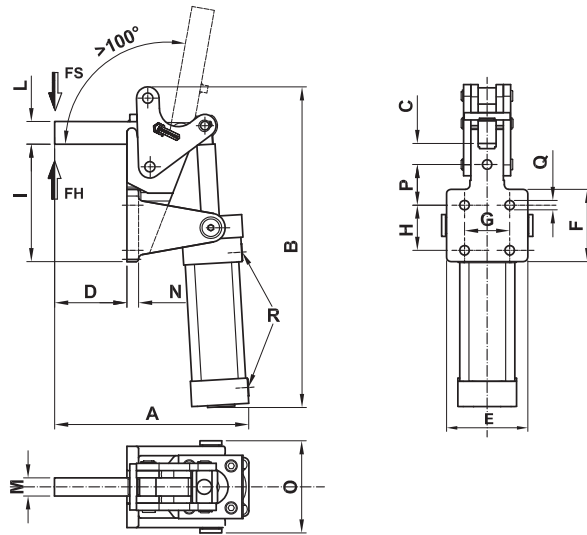


FORM EPVM



HEAVY PNEUMATIC SERIES

Material: Base made of black/ varnished spheroidal cast iron
Lever in galvanized steel;
Hardened and ground pivots.

Cylinder: ISO Magnetic Standards
Maximum operating pressure 10 bar.
Maximum operating temperature 80°C
Model AU470 is the reed switch for detecting the position (see Accessories on page 76) to be ordered separately.

Features and applications:

These tools are designed to withstand high loads and a high number of operations.

We recommend using a filter-reducer-lubricator group for a long and smooth operation of the cylinder, while for a long duration of the mechanical components we recommend using the flow regulators found on the head for calibrating the speed of the motions desired, starting from a low speed and gradually increasing this speed.

A special grease is placed between two contacting surfaces during assembly.

Code	Description	A	B	C	D	E	F	G	H	I	L	M	N	O	P	Q	R	Fh (daN)	Fs (daN)	gr.
A0605	1000/EPVM 215	355			80	90	80	50	50	130	25	20	13	102		10.5	1/4"	1000	340	6500
A0625	2000/EPVM246.5	424	45	100	100	90	54	58	157	35	20	14	112	45	12.5	3/8"	2000	432	9000	

