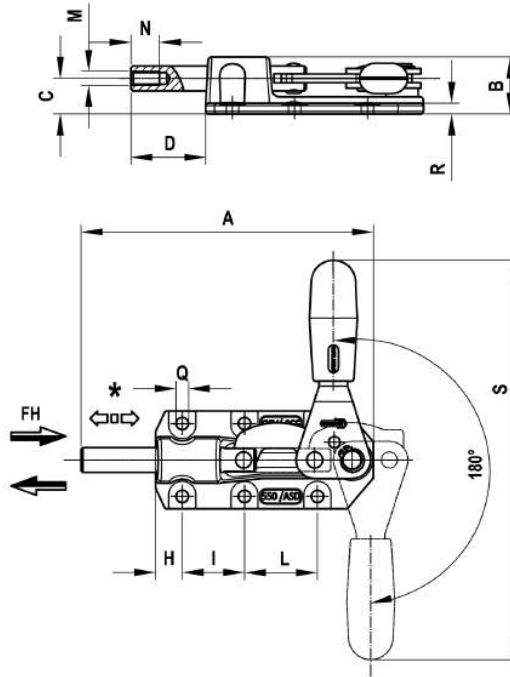


FORM ASD



PUSH AND PULL STRAIGHT-LINE ACTION SERIES

Material: Galvanized steel
Riveted pivots, push bar and control lever: Galvanized steel
Basic clamp body: Black varnished brass for size 70; hot forged steel and painted black for the other sizes.
Handles: Red polyurethane resistant to oils, grease and other chemical agents.

Performance:

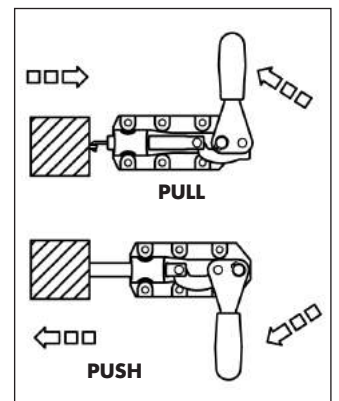
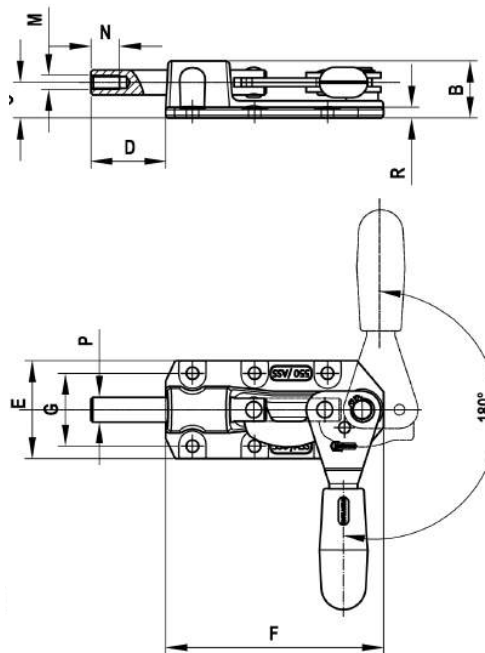
- Form ASS
 - push clamping with clockwise control lever rotation
 - traction clamping with anti-clockwise control lever rotation
- Form ASD push clamping
 - with anti-clockwise control lever rotation
 - traction clamping with clockwise control lever rotation

Spindles: To be ordered separately (see Accessories on page 76).

Features and applications:

The main feature of this series is its low force application point as well as the very reduced encumbrance in the vertical. A special grease is placed between two contacting surfaces during assembly.

FORM ASS



Code	Description	A	B	C	D	E	F	G	H	I	L	M	N	P	Q	R	S	*	Fh (daN)	gr.
AG075	70/ASD	85	19.5	12	22	36	64	26	13	26		M6	12	8.5	4.3	6	98	20	90	160
AG080	70/ASS	85	19.5	12	22	36	64	26	13	26		M6	12	8.5	4.3	6	98	20	90	160
AG165	160/ASD	117	25	15	32	46	85	33.5	11.5	36.5		M6	12	11	5.5	7	158	30	130	350
AG170	160/ASS	117	25	15	32	46	85	33.5	11.5	36.5		M6	12	11	5.5	7	158	30	130	350
AG175	550/ASD	164.5	32	20	42	55	122.5	41	15	35	41	M8	16	14	7	7	225	42	450	720
AG180	550/ASS	164.5	32	20	42	55	122.5	41	15	35	41	M8	16	14	7	7	225	42	450	720