

STRAIGHT-LINE ACTION SERIES

PUSH AND PULL STRAIGHT-LINE ACTION SERIES

Material: Galvanized steel

Riveted pivots, sliding push bar and bearing: Galvanized steel

Handles: Red polyurethane resistant to oils, grease and other chemical agents.

Performance:

Form ASS

- push clamping with clockwise control lever rotation

- traction clamping with anti-clockwise control lever rotation

Form ASD

- push clamping with anti-clockwise control lever rotation

- traction clamping with clockwise control lever rotation

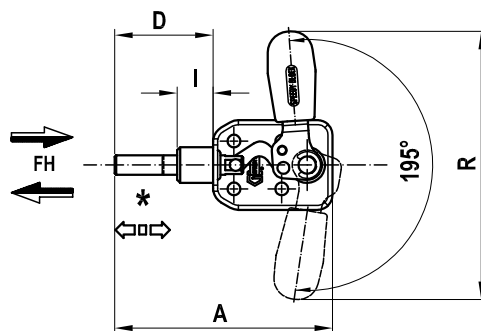
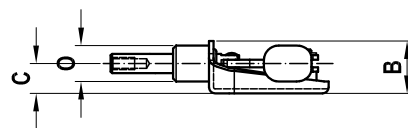
Spindles: To be ordered separately (see Accessories on page 76).

Features and applications:

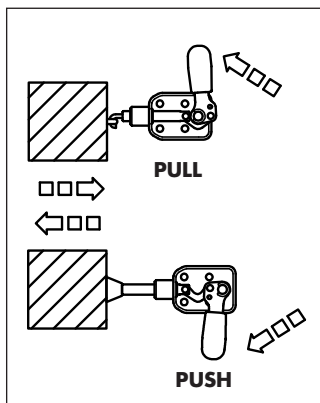
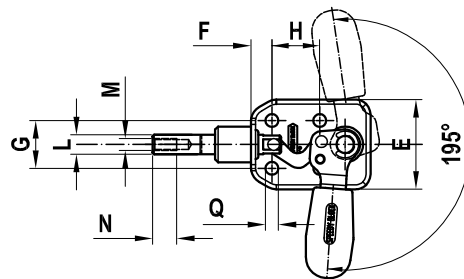
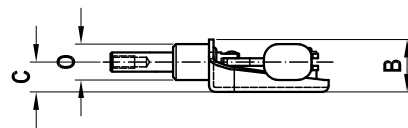
The main feature of this series is its low force application point as well as the very reduced encumbrance in the vertical.

A special grease is placed between two contacting surfaces during assembly.

FORM ASD



FORM ASS



Code	Description	A	B	C	D	E	F	G	H	I	L	M	N	O	Q	R	*	Fh (daN)	gr.
AG050	50/ASD	73	17.5	10	33	30.5	7	16	16	12	6.5	M4	9	12	4.3	90	16	80	60
AG055	50/ASS	73	17.5	10	33	30.5	7	16	16	12	6.5	M4	9	12	4.3	90	16	80	60