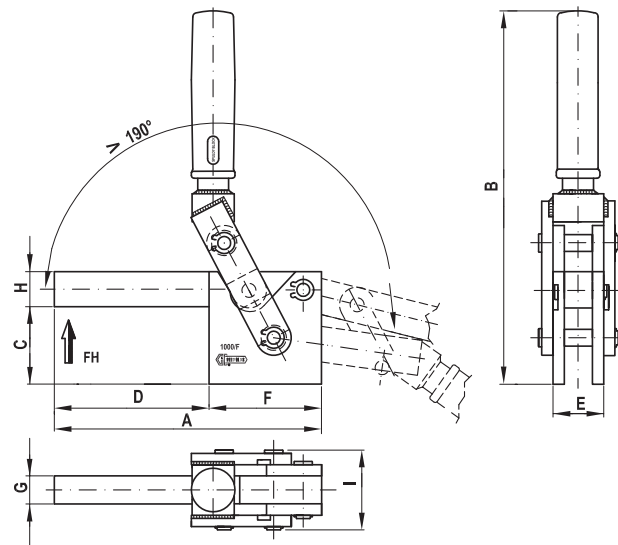
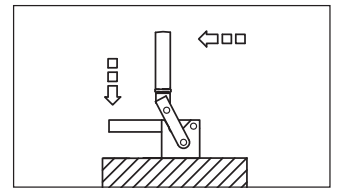


## FORM F



### HEAVY VERTICAL SERIES

**Material:** Weldable phosphated steel.  
**Pivots:** Hardened and ground steel.  
**Supporting bushes:** Hardened and ground steel.  
**Handles:** Red polyurethane resistant to oils, grease and other chemical agents.  
**Features and applications:** Series generally used for heavy applications requiring which require major resistant forces. The clamps of this series are built to be easily disassembled for reworking of the individual elements depending on the requirements of use.



| Code  | Description | A   | B   | C  | D   | E  | F   | G  | H  | I    | Fh (daN) | gr.<br>⚖️ |
|-------|-------------|-----|-----|----|-----|----|-----|----|----|------|----------|-----------|
| AA900 | 1000/F      | 190 | 265 | 55 | 110 | 36 | 80  | 20 | 25 | 57.5 | 1000     | 2400      |
| AA905 | 2000/F      | 220 | 295 | 65 | 120 | 36 | 100 | 20 | 35 | 57.5 | 2000     | 3600      |
| AA910 | 3000/F      | 250 | 320 | 80 | 140 | 45 | 110 | 25 | 40 | 71   | 3000     | 5700      |

