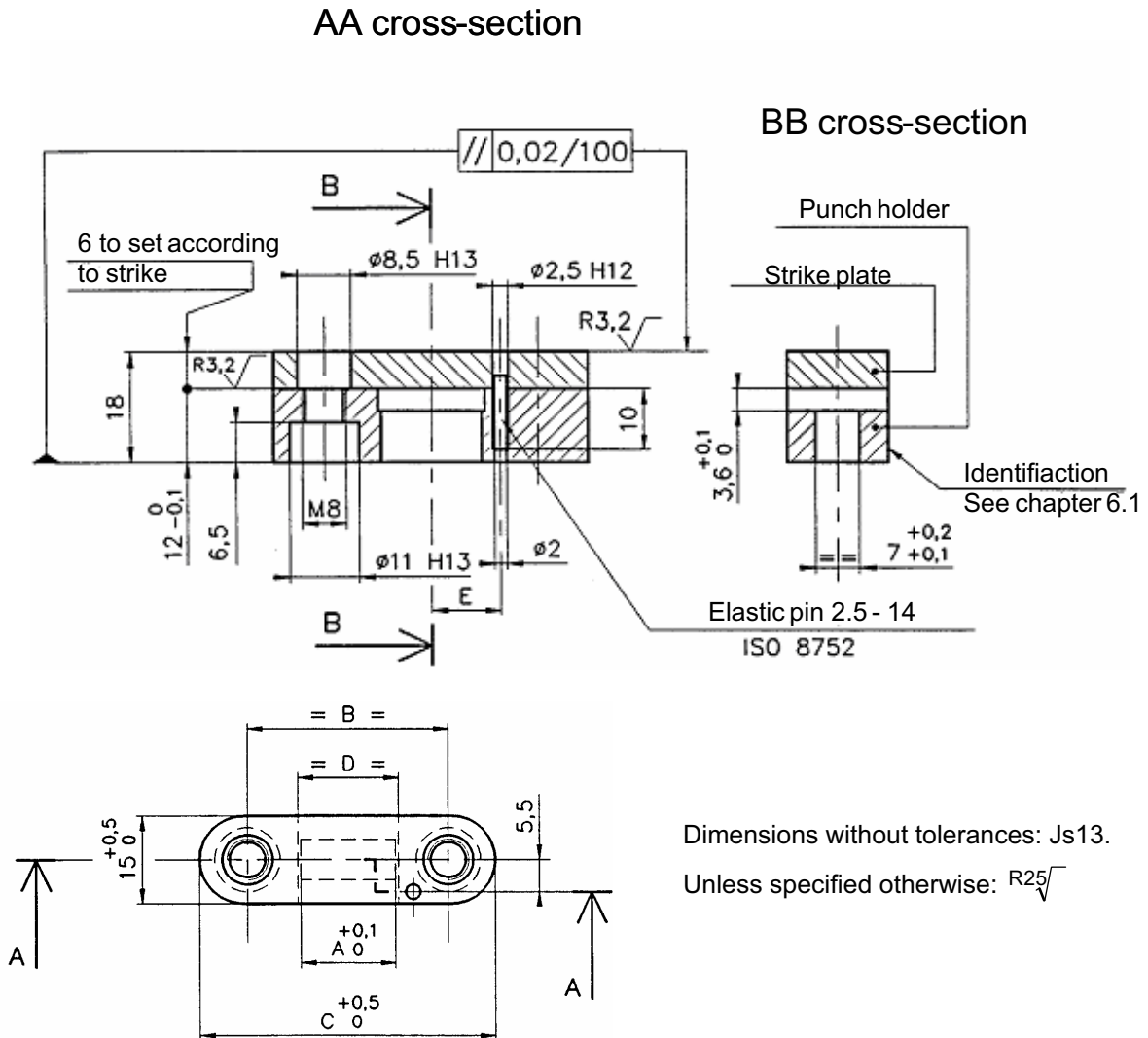


5 Marking elements

5.1 Marking punch holder assembly

It can be used embedded or not



Material: Punch holder : Steel C45 - T3 following EN 10083-1 and E01.05.205.N for the definition of T3 or other steel with equivalent mechanical characteristics.

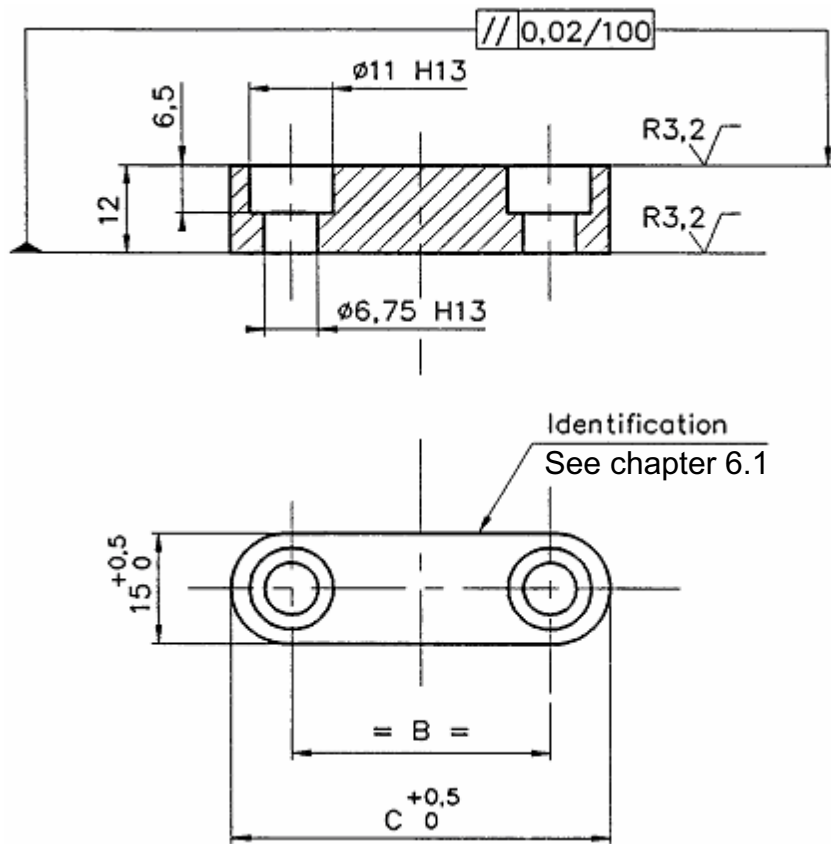
Strike plate : Allied hard steel says " blue sheet metal " following one E01.11.334. N

Number of punches	Dimensions					Renault MABEC Number	Fittings
	A	B	C	D	E		
4	16	32	47	17	12	R100 050 232	CHc M6-25
6	24	40	55	25	-	R100 197 803	CHc M6-25
8	32	48	63	33	20	R100 050 234	CHc M6-25
10	40	56	71	41	24	R100 352 214	CHc M6-25

Designation: Marking punch holder assembly with 4 characters
Renault MABEC number: R100 050 232

5.2 Strike plate

The strike plate is used when the part opposite the marking has a hardness < 300 HB.



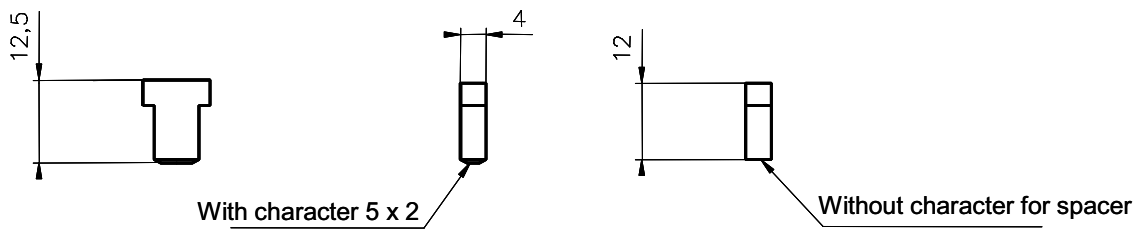
Dimensions without tolerances: Js13.

Unless specified otherwise: $R25\sqrt{\quad}$

Material: Steel C45 - T3 following EN 10083-1 and E01.05.205.N for the definition of T3 or other steel with equivalent mechanical characteristics.

Number of punches	Dimensions		Renault MABEC Number	Fittings
	B	C		
4	32	47	R100 050 235	CHc M6-20
6	40	56	R100 197 805	CHc M6-20
8	48	63	R100 050 236	CHc M6-20
10	56	71	R100 352 230	CHc M6-20

5.3 Marking punches



5.4 Characters used

LETTERS	A	B	C	D	E	F	G	H	J	K	L	M	N	O	P	Q	R	S	T	U	V	W	X	Y	Z
---------	---	---	---	---	---	---	---	---	---	---	---	---	---	---	---	---	---	---	---	---	---	---	---	---	---

The letter "O" and the figure Zero are made with the same punch

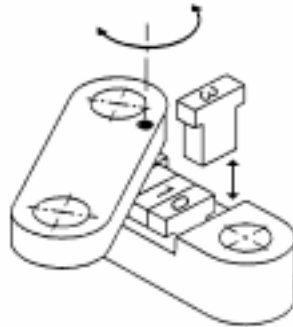
DIGITS	0	1	2	3	4	5	6	7	8	
	6 = Character 9							Space		

Digit characters	Renault MABEC number
0	P785 150 002
1	P785 150 102
2	P785 150 202
3	P785 150 302
4	P785 150 402
5	P785 150 502
6 or 9	P785 150 602
7	P785 150 702
8	P785 150 802
Spacer	P785 289 002

Letter characters	Renault MABEC number
A	P785 151 302
B	P785 151 402
C	P785 154 502
D	P785 151 602
E	P785 151 702
F	P785 151 802
G	P785 151 902
H	P785 152 002
J	P785 152 202
K	P785 152 302
L	P785 152 402
M	P785 152 503
N	P785 152 602
O	P785 150 002
P	P785 152 802
Q	P785 152 902
R	P785 153 002
S	P785 153 102
T	P785 153 202
U	P785 153 302
V	P785 153 402
W	P785 153 502
X	P785 153 602
Y	P785 153 702
Z	P785 153 802

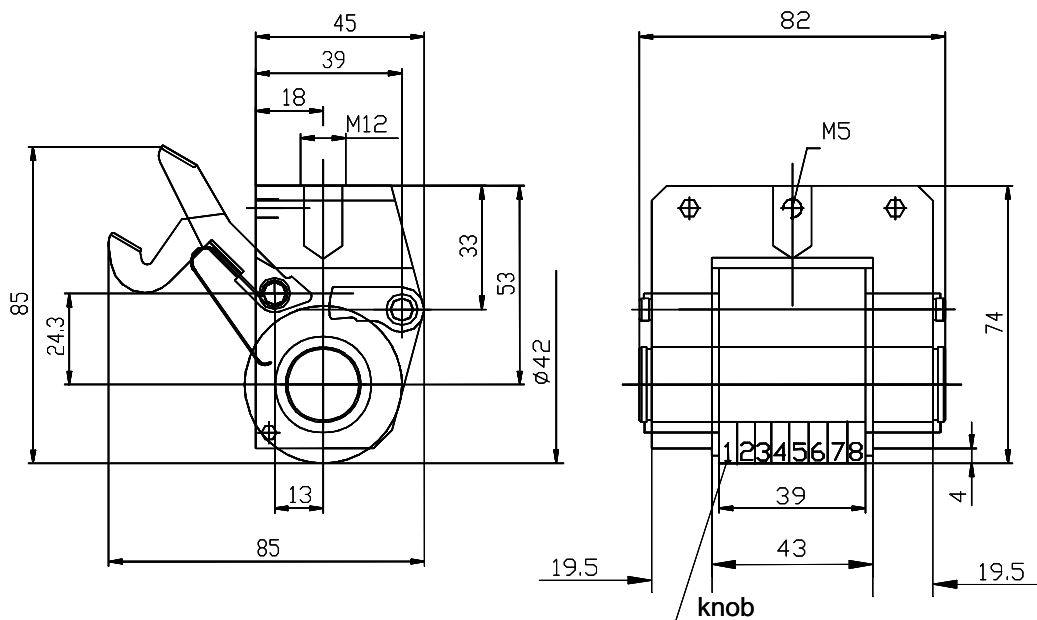
5.4 Implementation of the marking punches

Swivel the shock plate for implementing the marking punches.



5.5 Knob marking unit

Fitting on progressive tool



Knob	Letter and digit
1	A.B.C.D.E.F.L.M.N.P.U.S.V and 1 space
2	0 to 9
3	0 to 9
4	A to M
5	0 to 9
6	A to M
7	N to Z
8	A to K

Designation: Number setting 8 knobs Type NMB
Renault MABEC number: R900 268 008